

BRICK TECHNICAL DATA SHEET

SPECIAL BRICKS

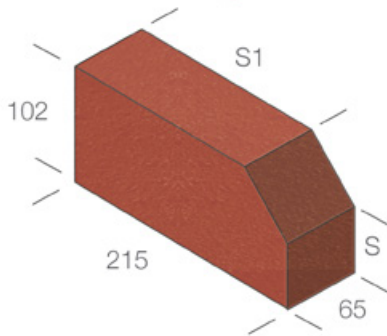
The Edenhall range of facing bricks is supported by a range of standard matching specials produced to BS EN 771-5: 2011 - Specification for Manufactured Stone Masonry Units. This Technical Data Sheet is only intended to show the most popular sizes and shapes. Many other complementary and striking shapes can be manufactured to meet bespoke requirements.

Please note that certain specials are only available in a Smooth finish, whilst others are produced in both Smooth, Textured and Sandfaced finish. Please consult your local Edenhall Sales Office for specific details.

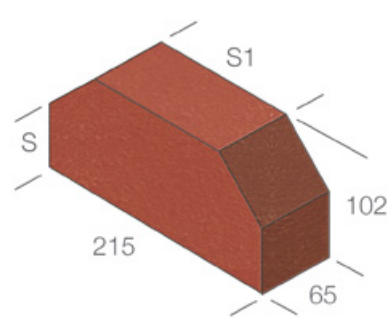
Due to the particular method of production of special bricks it is important that adequate notice is given before delivery can commence. Your local Edenhall Sales Office can quote delivery times.

The drawings show some of the basic shapes of the units and their principal dimensions. Where sizes or angles have to be specified, please contact your local Edenhall Sales Office for details of availability.

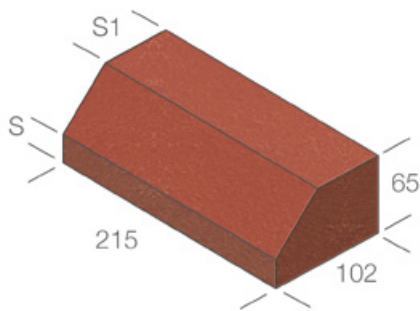
AN5 Single Cant



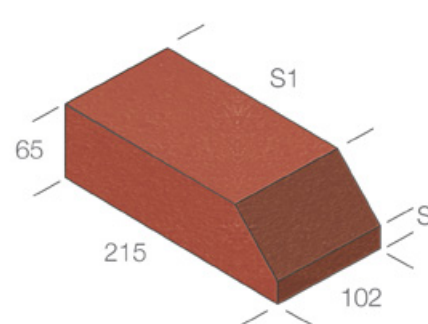
AN6 Double Cant



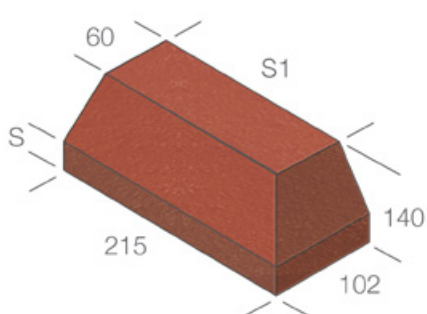
PL3 Plinth Stretcher



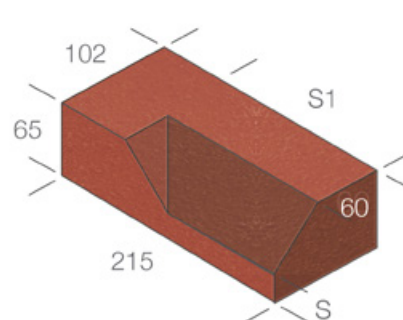
PL2 Plinth Header



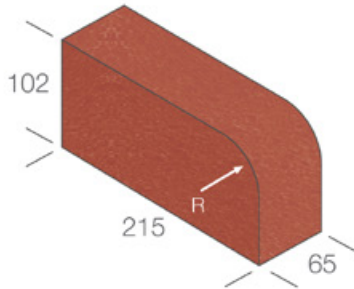
PL7 Plinth External Return



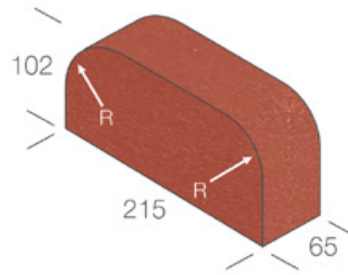
PL4 Plinth Internal Return



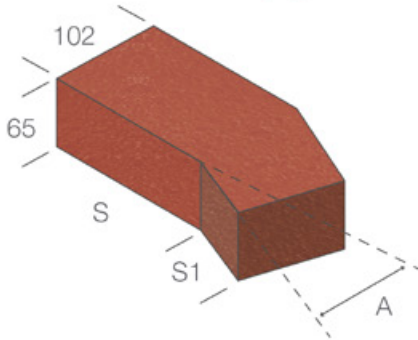
BN1 Single Bullnose



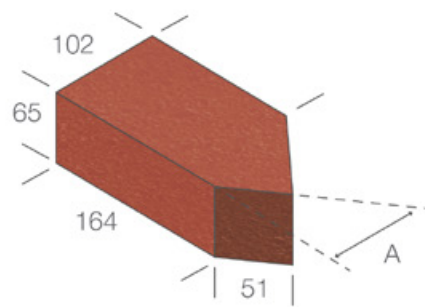
BN2 Double Bullnose



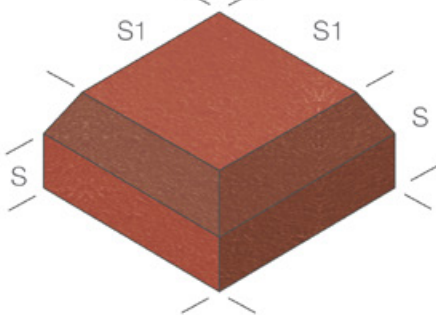
AN3 Internal Dogleg



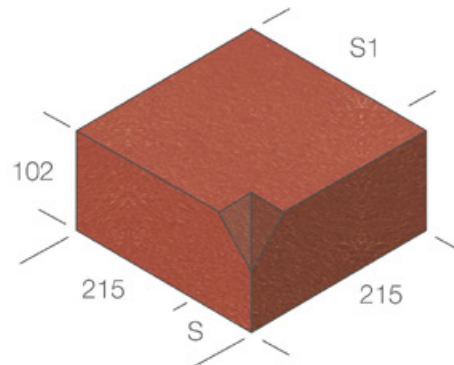
AN1 Squint



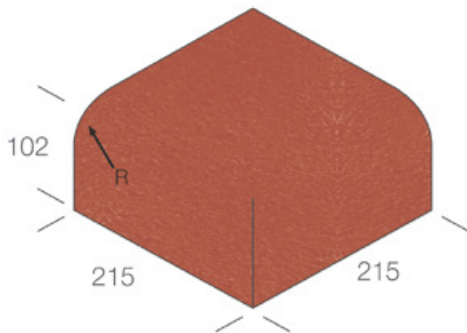
AN7 Single Cant External Return



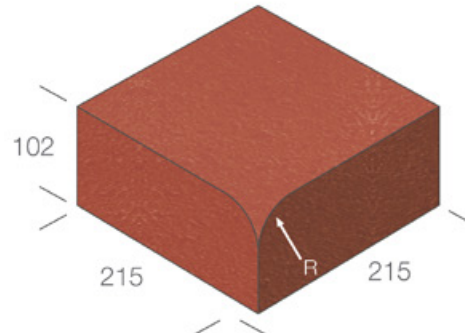
AN8 Single Cant Internal Return



BN19 External Return to Single Bullnose



Square Internal Return to Single Bullnose



Notes:

S: Specify Dimension

S1: Specify Dimension

R: Specify Radius

A: Specify Angle

Head Office: PD Edenhall Ltd, Danygraig Road, Risca, Newport, NP11 6DP **Tel:** 01633 612671 **Fax:** 01633 601280 edenhall.co.uk