

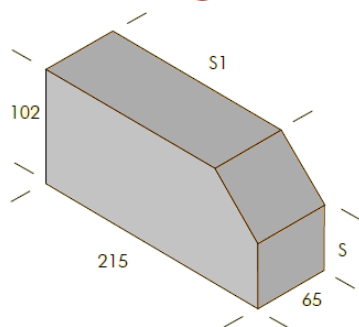
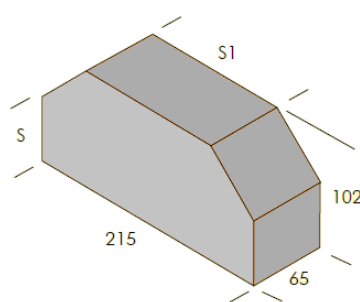
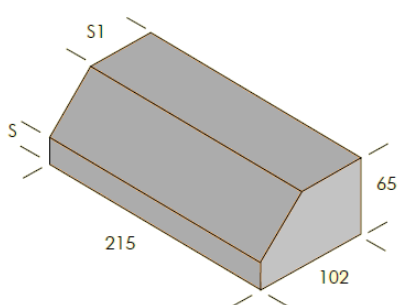
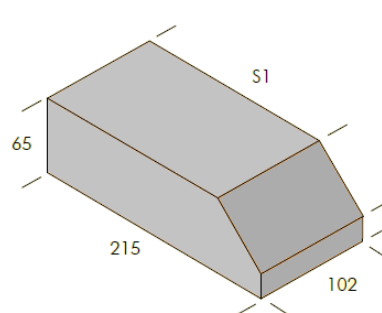
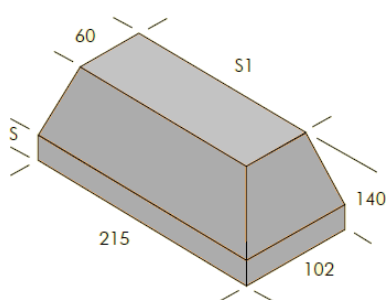
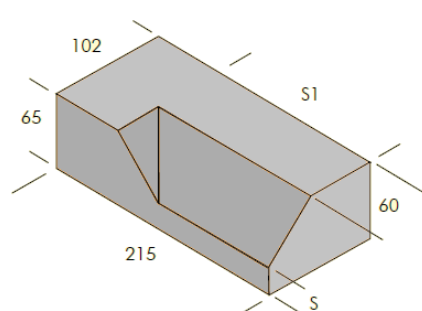
**BRICK TECHNICAL DATA SHEET  
SPECIAL BRICKS****BTDS 5**

The Edenhall range of facing bricks is supported by a range of standard matching specials produced to BS EN 771-5: 2011 - Specification for Manufactured Stone Masonry Units. This Technical Data Sheet is only intended to show the most popular sizes and shapes, many other complementary and striking shapes can be manufactured to meet bespoke requirements.

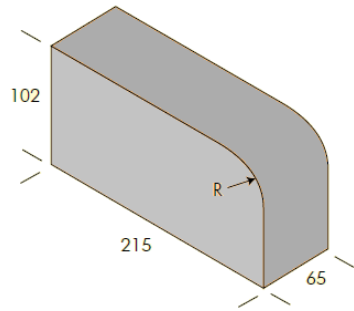
Please note that certain specials are only available in a Smooth finish, whilst others are produced in both Smooth, Textured and Sandfaced finish. Please consult your local Edenhall Sales Office for specific details.

Due to the particular method of production of special bricks it is important that adequate notice is given before delivery can commence. Your local Edenhall Sales Office can quote delivery times.

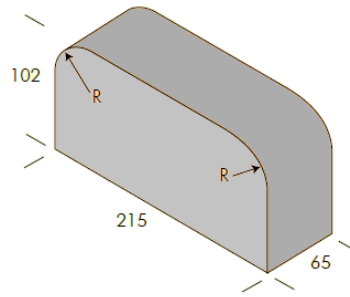
The drawings show some of the basic shapes of the units and their principal dimensions. Where sizes or angles have to be specified, please contact your local Edenhall Sales Office for details of availability.

**AN5 Single Cant****AN6 Double Cant****PL3 Plinth Stretcher****PL2 Plinth Header****PL7 Plinth External Return****PL4 Plinth Internal Return**

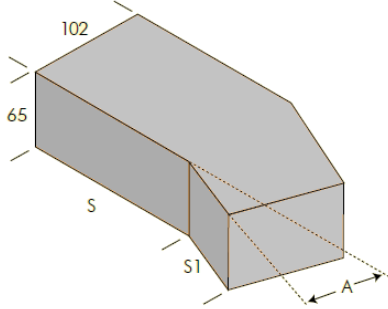
**BN1 Single Bullnose**



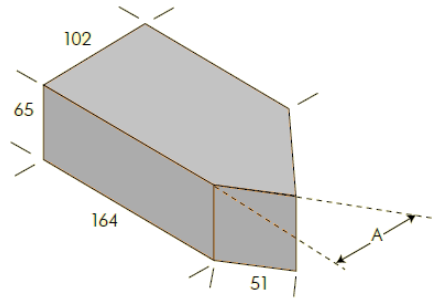
**BN2 Double Bullnose**



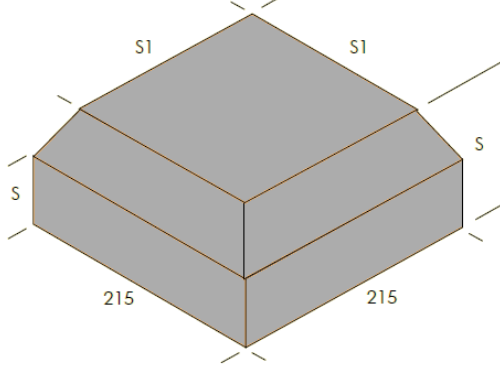
**AN3 Internal Dogleg**



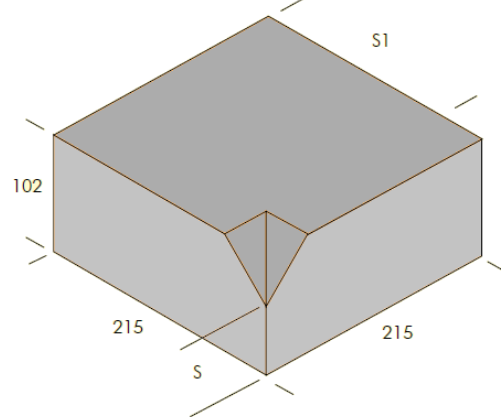
**AN1 Squint**



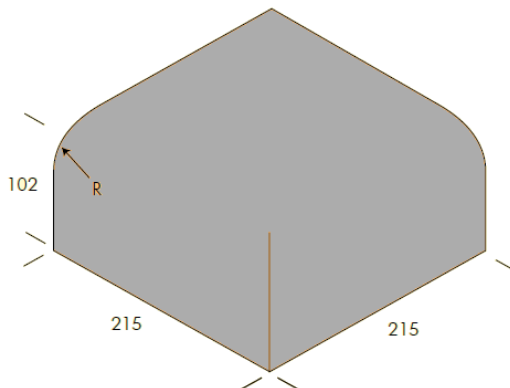
**AN7 Single Cant Ext Return**



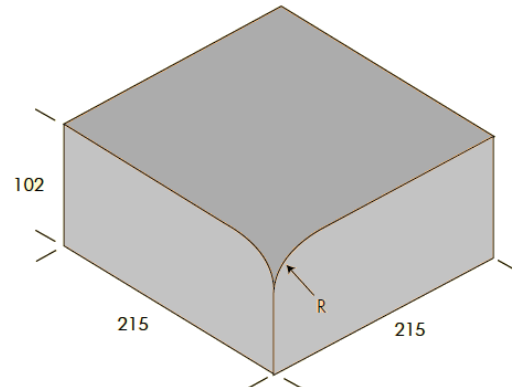
**AN8 Single Cant Int Return**



**BN19 External Return to Single Bullnose**



**Square Internal Return to Single Bullnose**



**Notes:** S: Specify Dimension S1 Specify Dimension R: Specify Radius A: Specify Angle

**Head Office:**

PD Edenhall Ltd, Danygraig Road, Risca, Newport, NP11 6DP

Tel: 01633 612671

Fax: 01633 601280

www.edenhall.co.uk

The information and guidance contained in this Technical Manual is regularly reviewed as part of Edenhall's continuous development and improvement programme. Updates and amendments can be made without notice and the Company cannot accept liability for any errors or omissions. The content of this document and the referenced data sheets and bulletins, including tables, diagrams and images, are subject to copyright.