

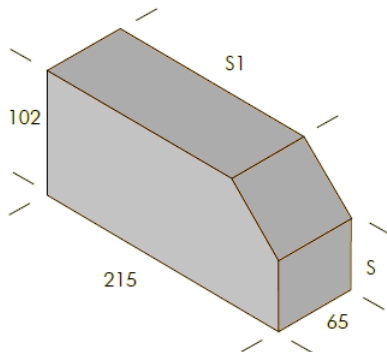
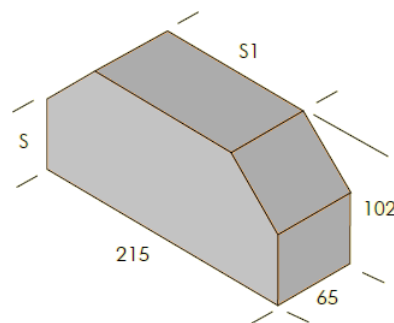
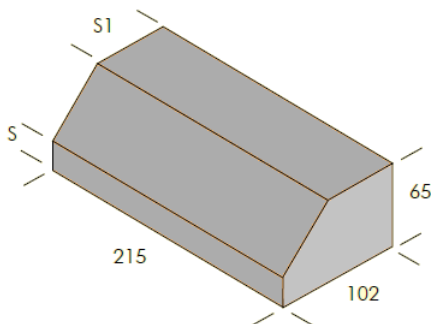
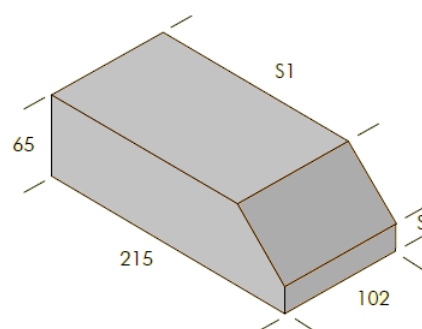
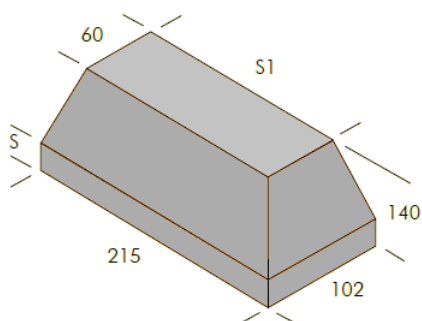
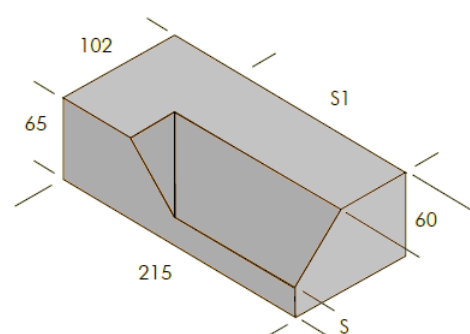
BRICK TECHNICAL DATA SHEET BTDS 5
SPECIAL BRICKS

The Edenhall range of facing bricks is supported by a range of standard matching specials produced to BS EN 771-5: 2003; Specification for Masonry Units: Manufactured stone masonry units. This Technical Data Sheet is only intended to show the most popular sizes and shapes, many other complementary and striking shapes can be manufactured to meet bespoke requirements.

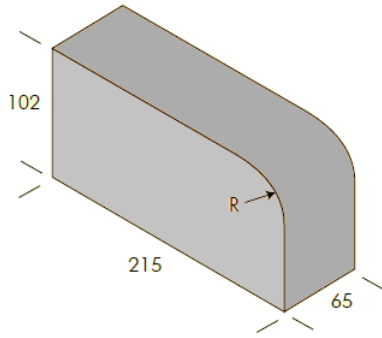
Please note that certain specials are only available in a smooth finish, whilst others are produced in both smooth and rustic textures. Please consult your local Edenhall Sales Office for specific details.

Due to the particular method of production of special bricks it is important that adequate notice is given before delivery can commence. Your local Edenhall Sales Office can quote delivery times.

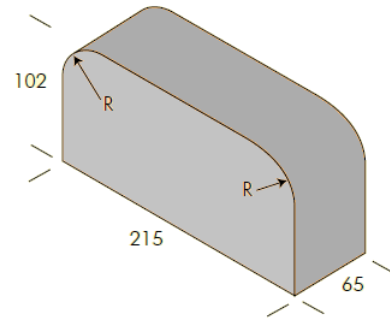
The drawings show the basic shapes of the units and their principal dimensions. Where sizes or angles have to be specified, please contact your local Edenhall Sales Office for details of mould availability.

AN5 Single Cant**AN6 Double Cant****PL3 Plinth Stretcher****PL2 Plinth Header****PL7 Plinth External Return****PL4 Plinth Internal Return**

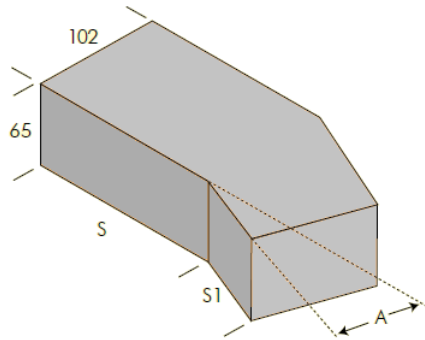
BN1 Single Bullnose



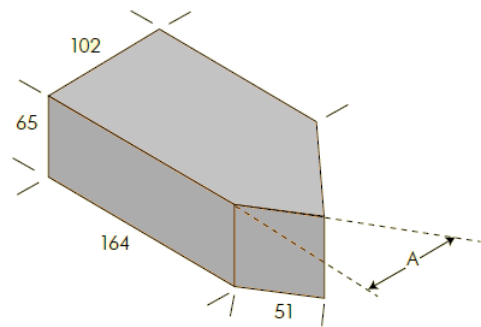
BN2 Double Bullnose



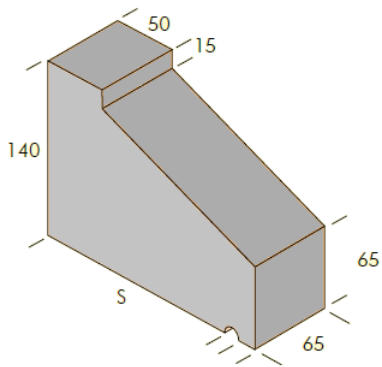
AN3 Internal Dogleg



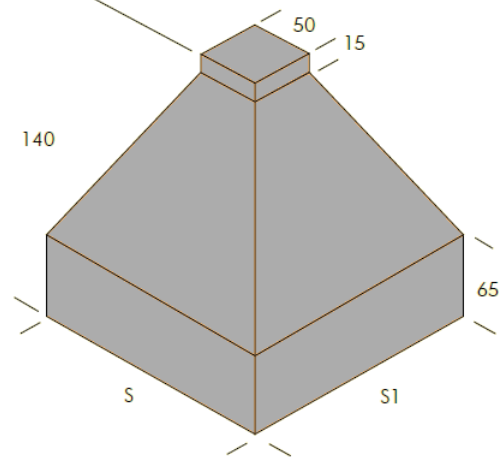
AN1 Squint



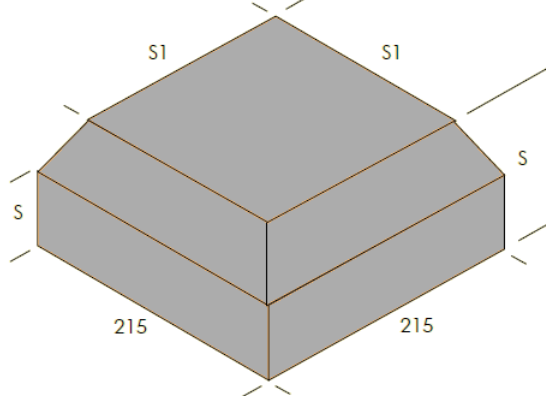
SB1 Special Cill Brick



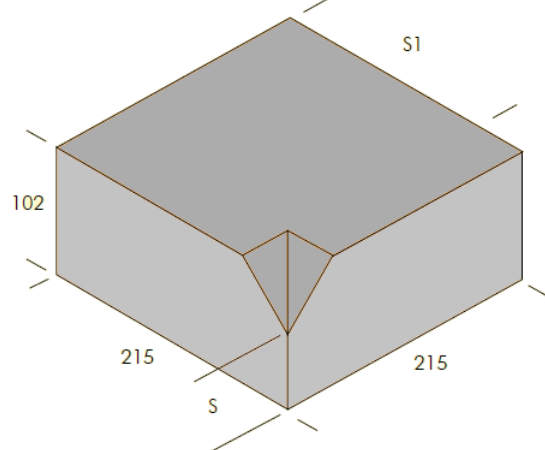
SB2 Special Cill Brick



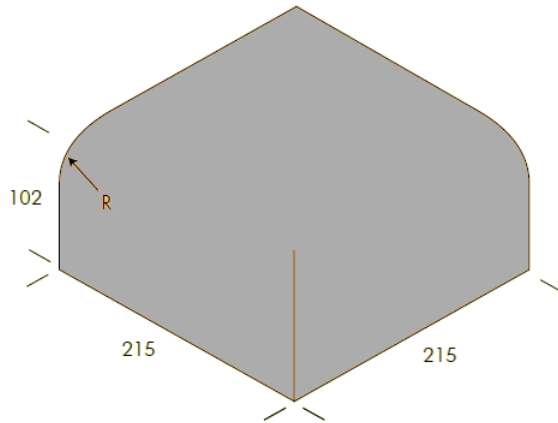
AN7 Single Cant Ext Return



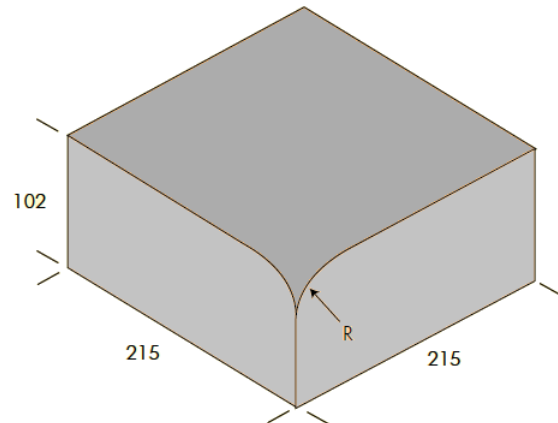
AN8 Single Cant Int Return



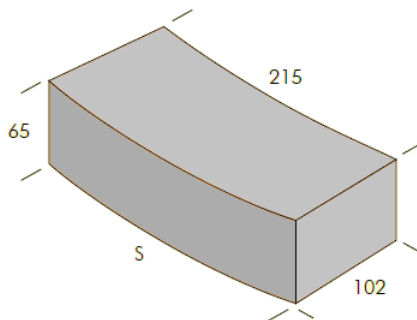
BN19 External Return to Single Bullnose



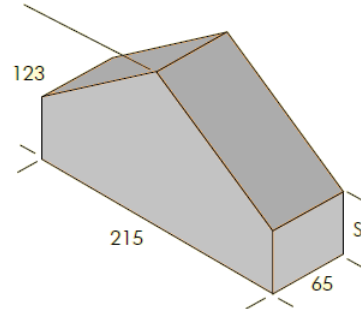
Square Internal Return to Single Bullnose



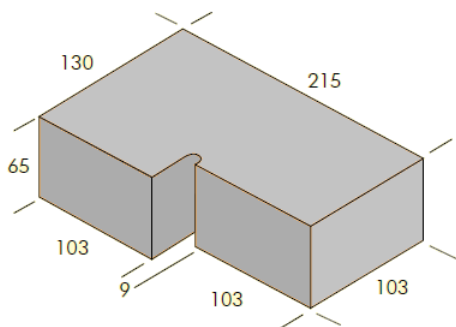
RD2 Radial Stretcher



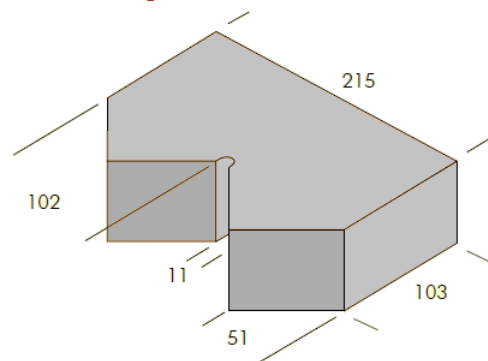
CP2 Saddleback Coping



FD1 Special Feature Dentil Course



FD2 Special Dentil Course



- Notes:** S: Specify Dimension
 S1: Specify Dimension
 R: Specify Radius
 A: Specify Angle

The specials shown are also available as Cast Stone specials in three basic colours: Red, Cream/Buf, Black/Blue. These high strength units are only available in a smooth texture and are designed to be used as complementary feature bricks. The delivery period on these Cast Stone specials may be quicker than that of bespoke units which are made specially to complement our extensive range of facing bricks.

Head Office:

PD Edenhall Ltd, Danygraig Road, Risca, Newport, NP11 6DP. **Tel:** 01633 612671 **Fax:** 01633 601280

www.edenhall.co.uk